

## Features

- Identification transponder in plastic cube
- Basic component: e5530 IDIC®
- Includes coil and capacitor for tuned circuit antenna
- Adjusted to 125 kHz carrier frequency

## Application

- Car immobilizer
- Access control
- Alarm systems
- Other identification systems

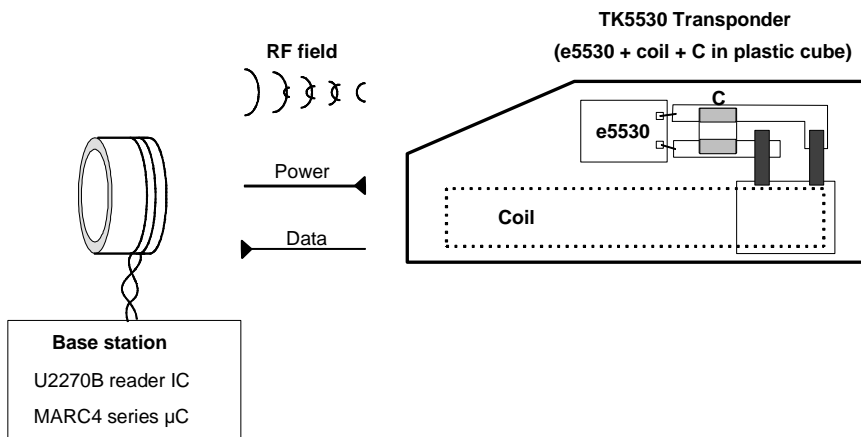
## Description

The TK5530 is a complete transponder, which implements all important functions for immobilizer and identification systems. It consists of a plastic cube which accommodates the read-only IDIC® <sup>\*)</sup> e5530 and the antenna is realized by a LC-circuit. The identifying data are stored in a 128 bit PROM on the e5530, realized as an array of laser-programmable fuses. The logic block diagram for the e5530 is shown in figure 2. The data are sent bit-serially as a code.

Any attempt to fake the base station with a wrong transponder will be recognized immediately.

## System Block Diagram

Figure 1.



<sup>\*)</sup> IDIC® stands for IDentification Integrated Circuit and is a trademark of Atmel.



## Read-Only Transponder

## TK5530

## General

The transponder consists of a plastic cube which accommodates following components:

- Read-only IDIC<sup>®</sup> with ROM (e5530)
- Antenna realized as tuned LC-circuit

## Read-Only IDIC<sup>®</sup> with ROM (e5530)

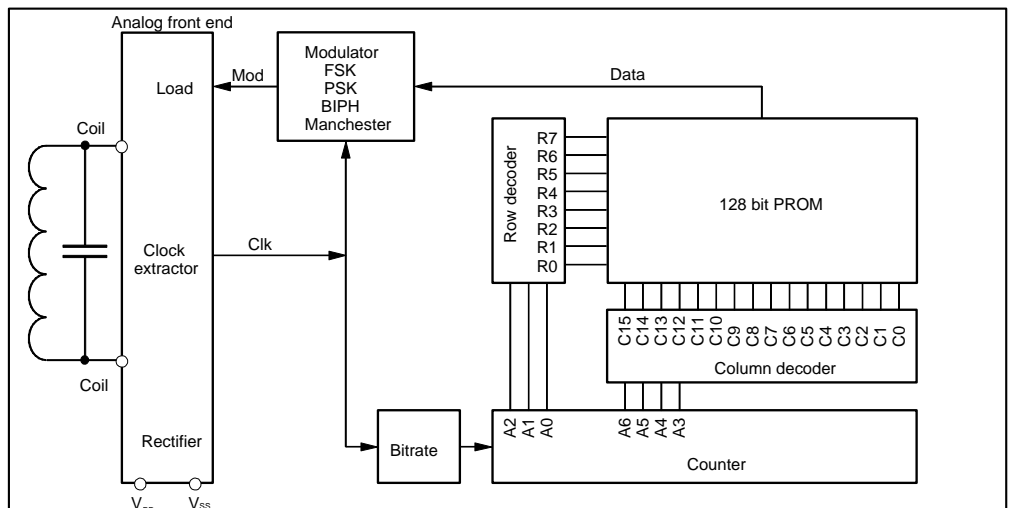
The e5530 is part of a closed coupled identification system (see figure 1). It receives power from a RF transmitter (reader) which is coupled inductively to the IDIC. The TK5530 transponder operates at a nominal frequency of 125 kHz. Receiving RF, the IDIC responds with a data stream by damping the incoming RF via an internal load. This damping in turn can be detected by the reader. The identifying data are stored in a 128-bit PROM on the e5530, which is factory programmed with a unique code (see specification of the e5530).

The e5530 has several possible options regarding modulation, bitrate, memory size etc.

## Antenna

The antenna consists of a coil and a capacitor for tuning the circuit to the nominal carrier frequency of 125 kHz. The coil has a ferrite-core for improving the readout distance.

**Figure 2.**



## Absolute Maximum Ratings

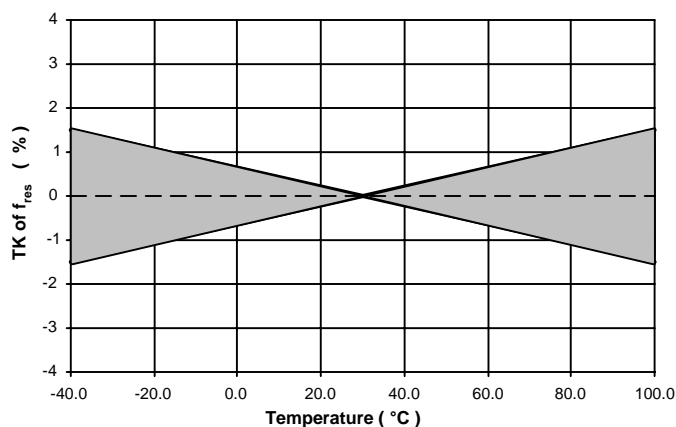
Parameter	Symbol	Value	Unit
Operating temperature range	$T_{amb}$	-40 to +85	°C
Storage temperature range	$T_{stg}$	-40 to +125	°C
Assembly temperature $t < 5$ min	$T_{ass}$	170	°C
Magnetic field strength at 125 kHz	$H_{pp}$	1000	A/m

## Operating Characteristics Transponder

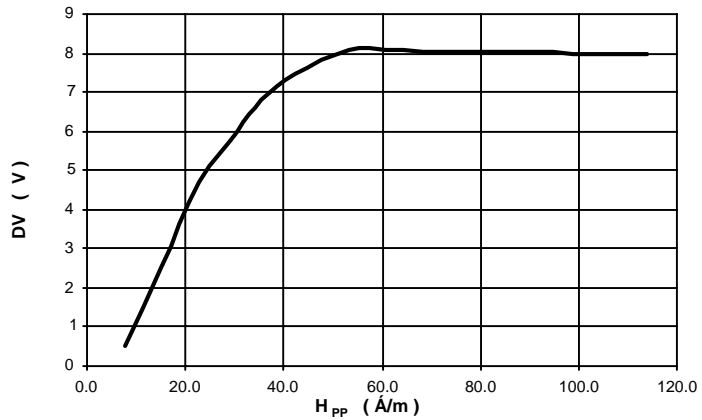
$T_{amb} = 25^{\circ}\text{C}$ ,  $f = 125$  kHz unless otherwise specified

Parameters	Test Conditions	Symbol	Min.	Typ.	Max.	Unit
Inductance		L		3.95		mH
<b>LC circuit, <math>H_{pp} = 20</math> A/m</b>						
Resonance frequency	Room temperature	$f_r$	121.4	125	129.2	kHz
Resonance frequency	$T_{amb} = -40$ to $+85^{\circ}\text{C}$	$f_r$	120.0		131.0	kHz
Quality factor		$Q_{LC}$		13		
<b>Magnetic Field Strength (H)</b>						
Max. field strength where tag does not modulate	No influence to other tags in the field	$H_{pp}$ not		2		A/m
Field strength for operation	$T_{amb} = -40^{\circ}\text{C}$	$H_{pp}$ -40		30		A/m
Field strength for operation	$T_{amb} = 25^{\circ}\text{C}$	$H_{pp}$ 25		18		A/m
Field strength for operation	$T_{amb} = 85^{\circ}\text{C}$	$H_{pp}$ 85		17		A/m
Maximum field strength		$H_{pp}$ max			600	A/m
<b>Modulation Range (see also H-DV curve)</b>						
Modulation range	$H_{pp} = 20$ A/m $H_{pp} = 30$ A/m $H_{pp} = 50$ A/m $H_{pp} = 100$ A/m	DV		4.0 6.0 8.0 8.0		V

Figure 3. Typical  $T_K$ -range of resonance frequency

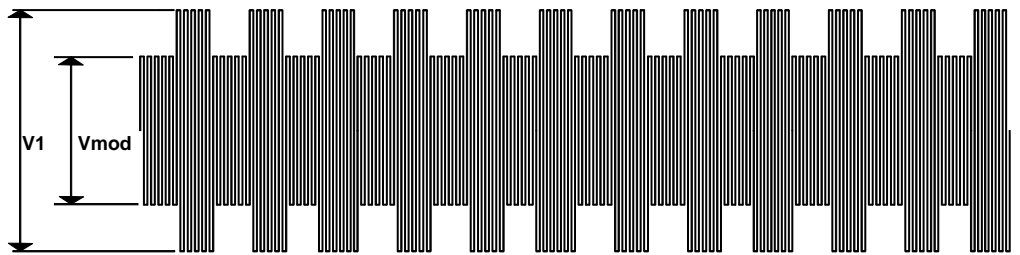


**Figure 4.** Typical H-DV curve



**Figure 5.** Measurement of the modulation range DV

Output voltage of the testing application (see figure 6 and 7)

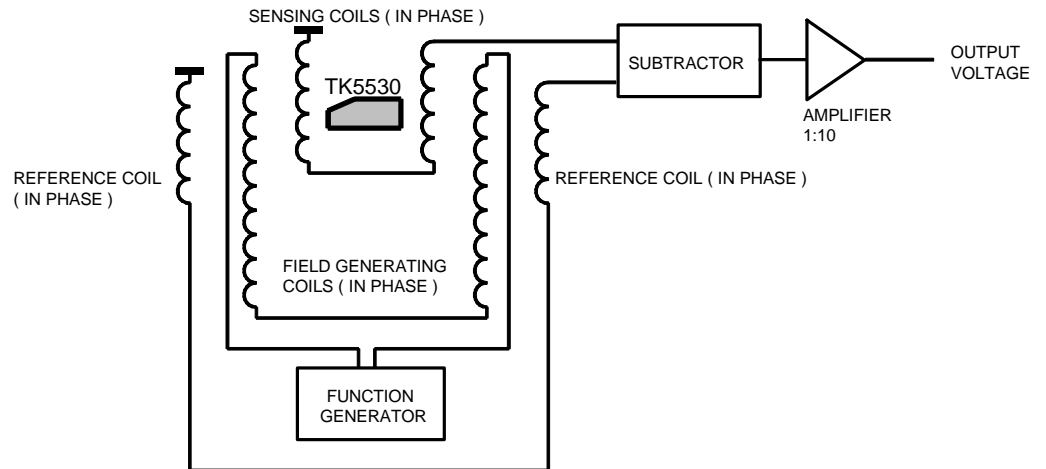


$$DV = V1 - V_{mod}$$

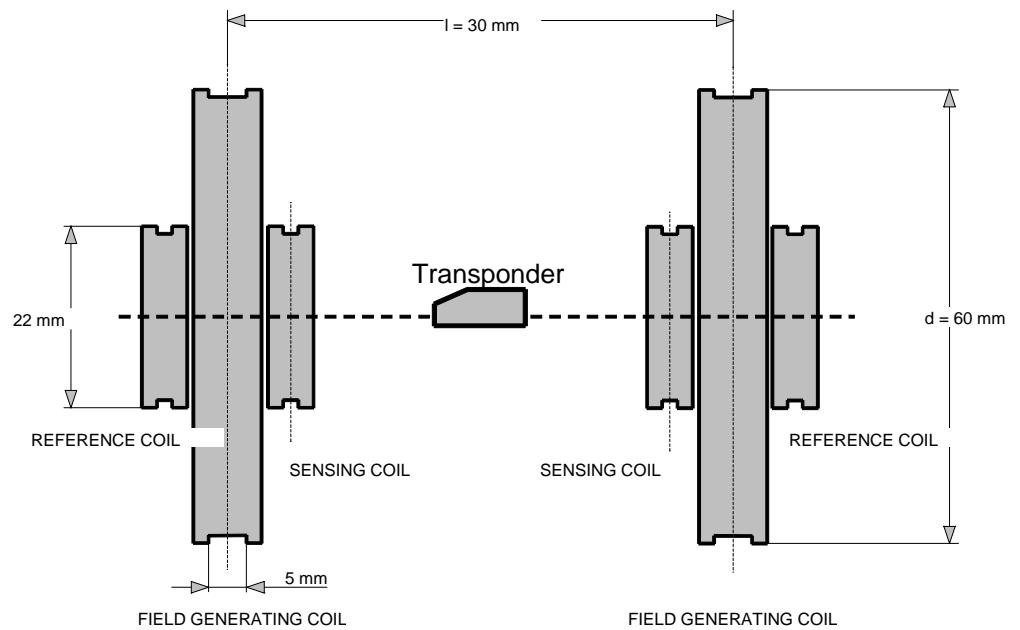
## Measurement Assembly

All parameters are measured in a Helmholtz-arrangement, which generates a homogeneous magnetic field (see figure 6 and 7). A function generator drives the field generating coils, so the magnetic field can be varied in frequency and field strength.

**Figure 6.** Testing application



**Figure 7.** Testing geometry





## IDIC® (Reference Data Sheet e5530)

Memory size maximum	128 Bit (details see "Coding")
Memory type	ROM
Programming	Laser cutting
Data rate	RF/32 - RF/64
Encoding	Manchester or Bi-phase
Modulation	AM
Maximum coil voltage (internally limited) $V_{pp}$ (I = 5 mA)	16 V

## Coding

The memory of the TK5530 can be selected to be a 64- or 128-bit rolling code. In the non-standard version, the first 8 bits are a customer-specific pattern. This can be selected by the customer, provided that Atmel agrees to the customer's proposal. This pattern is unique within the serial rolling code data stream. The ID code and further bit informations following the 8-bit header can also be defined within the customer's specification.

The set-up of a suitable coding scheme can be provided on customer's request.

## Read Distance

The maximum distance between the base station and the TK5530 mainly depends on the base station, the coil geometries and the modulation options chosen (see U2270B Antenna Design Hints and the U2270B data sheet). When generating an appropriate field with a suitable reader technique, a distance of 10 cm and more can be obtained. When using the Atmel U2270B demo board, the typical distances in the range of 0 to 5 cm can be achieved. Maximum distance values which are generally valid can not be given in this data sheet. The exact measuring of the maximum distance should be carried out with the TK5530 being integrated into the specific application.

## Ordering Information

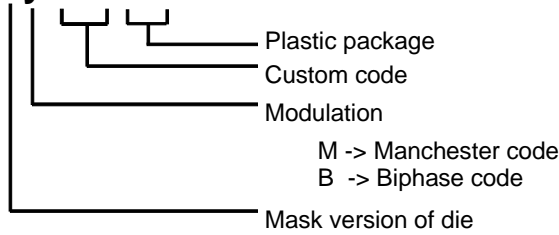
Extended Type Number	Modul.	Data Rate	Con-figuration	Check-sum	Header	ID Code	SPQ (Minimum Volume)	Minimum Order Volume
TK5530HM-232-PP	Manch.	RF/32	64 bit	no check-sum	E6	fixed and unique code	10 kpcs	>1 kpcs (per order, from stock)
TK5530HM-zzz-PP	defined by customer							> 300 kpcs p.a.

- Note:
- 1) Definition of customized part number basing on orders for first year volume (300 kpcs)
  - 2) Definition of header, ID code, checksum etc. according to customers data base
  - 3) 8.000 US\$ initial cost for metal mask
  - 4) Lead time 5 month
  - 5) Low volume customized application can be covered by TK5550F-PP programming, for identical application, as TK5530H-zzz-PP.

Ordering number for standard version: TK5530HM-232-PP

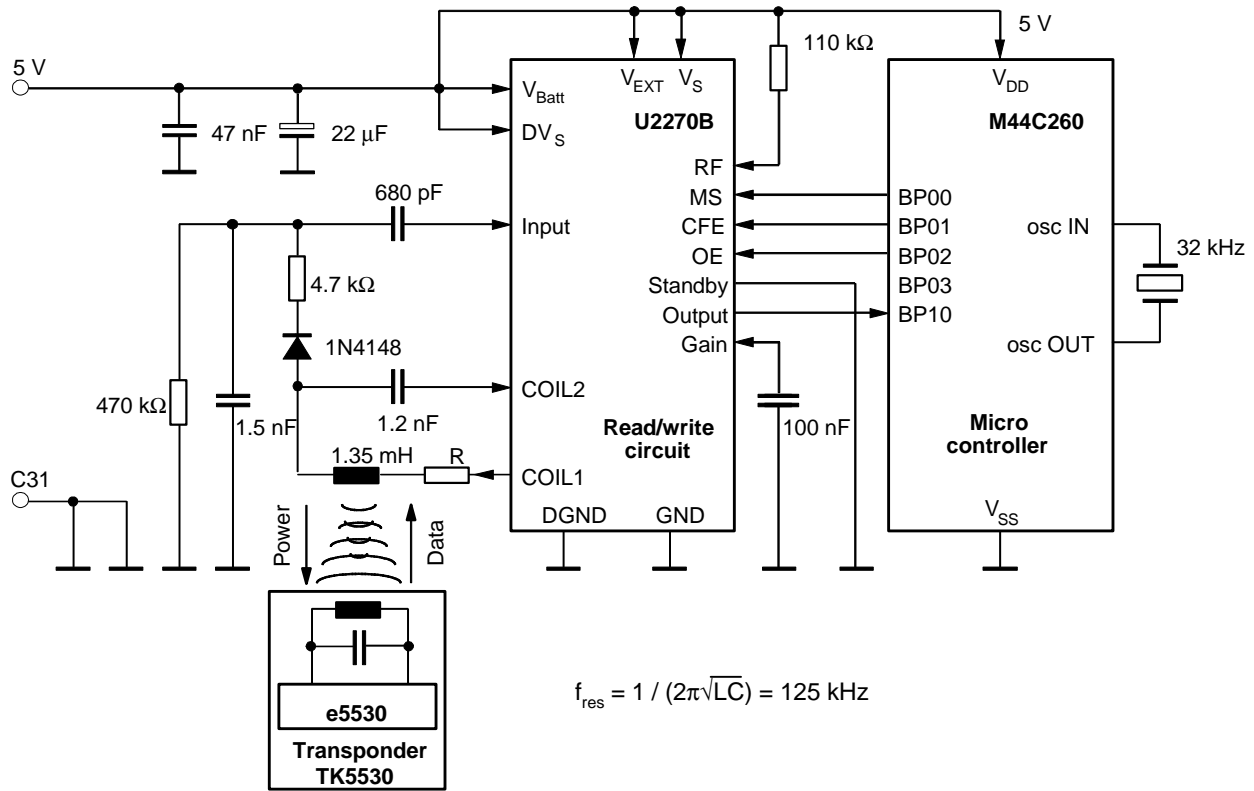
Ordering number for customized version:

**TK5530xy-zzz-PP**



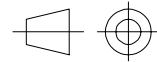
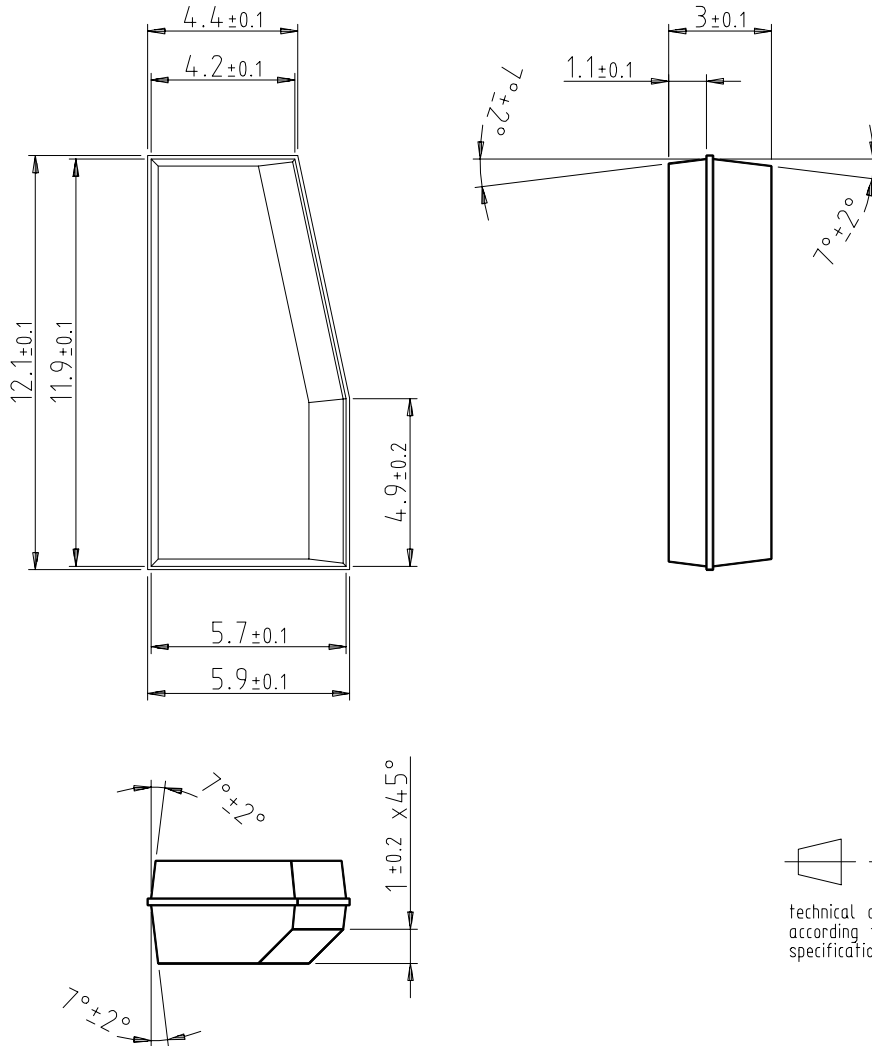
### Application

Figure 8. Complete transponder system with the read/write base-station IC U2270B



# Package Information

Dimensions in mm



technical drawings  
according to DIN  
specifications



## Ozone Depleting Substances Policy Statement

It is the policy of **Atmel Germany GmbH** to

1. Meet all present and future national and international statutory requirements.
2. Regularly and continuously improve the performance of our products, processes, distribution and operating systems with respect to their impact on the health and safety of our employees and the public, as well as their impact on the environment.

It is particular concern to control or eliminate releases of those substances into the atmosphere which are known as ozone depleting substances (ODSs).

The Montreal Protocol (1987) and its London Amendments (1990) intend to severely restrict the use of ODSs and forbid their use within the next ten years. Various national and international initiatives are pressing for an earlier ban on these substances.

**Atmel Germany GmbH** has been able to use its policy of continuous improvements to eliminate the use of ODSs listed in the following documents.

1. Annex A, B and list of transitional substances of the Montreal Protocol and the London Amendments respectively
2. Class I and II ozone depleting substances in the Clean Air Act Amendments of 1990 by the Environmental Protection Agency (EPA) in the USA
3. Council Decision 88/540/EEC and 91/690/EEC Annex A, B and C (transitional substances) respectively.

**Atmel Germany GmbH** can certify that our semiconductors are not manufactured with ozone depleting substances and do not contain such substances.





## Atmel Sales Offices

### **France**

3, Avenue du Centre  
78054 St.-Quentin-en-Yvelines  
Cedex  
Tel: +33 1 30 60 70 00  
Fax: +33 1 30 60 71 11

### **Germany**

Erfurter Strasse 31  
85386 Eching  
Tel: +49 89 319 70 0  
Fax: +49 89 319 46 21

Kruppstrasse 6  
45128 Essen  
Tel: +49 201 247 30 0  
Fax: +49 201 247 30 47

Theresienstrasse 2  
74072 Heilbronn  
Tel: +49 7131 67 36 36  
Fax: +49 7131 67 31 63

### **Italy**

Via Grosio, 10/8  
20151 Milano  
Tel: +39 02 38 03 71  
Fax: +39 02 38 03 72 34

### **Spain**

Principe de Vergara, 112  
28002 Madrid  
Tel: +34 91 564 51 81  
Fax: +34 91 562 75 14

### **Sweden**

Kavallerivaegen 24, Rissne  
17402 Sundbyberg  
Tel: +46 8 587 48 800  
Fax: +46 8 587 48 850

### **United Kingdom**

Easthampstead Road  
Bracknell  
Berkshire RG12 1LX  
Tel: +44 1344 707 300  
Fax: +44 1344 427 371

### **USA Western**

2325 Orchard Parkway  
San Jose, California 95131  
Tel: +1 408 441 0311  
Fax: +1 408 436 4200

### **USA Eastern**

1465 Route 31, Fifth floor  
Annandale  
New Jersey 08801  
Tel: +1 908 848 5208  
Fax: +1 908 848 5232

### **Hong Kong**

Room #1219,  
Chinachem Golden Plaza  
77 Mody Road, Tsimhatsui East  
East Kowloon, Hong Kong  
Tel: +852 23 789 789  
Fax: +852 23 755 733

### **Korea**

25-4, Yoido-Dong, Suite 605,  
Singsong Bldg.  
Youngdeungpo-Ku  
150-010 Seoul  
Tel: +822 785 1136  
Fax: +822 785 1137

### **Rep. of Singapore**

Keppel Building #03-00  
25 Tampines Street 92,  
Singapore 528877  
Tel: +65 260 8223  
Fax: +65 787 9819

### **Taiwan, R.O.C.**

8F-2, 266 Sec.1 Wen Hwa 2 Rd.  
Lin Kou Hsiang,  
244 Taipei Hsien  
Tel: +886 2 2609 5581  
Fax: +886 2 2600 2735

### **Japan**

Tonetsushinkawa Bldg.  
1-24-8 Shinkawa Chuo Ku  
Tokyo 104-0033  
Tel: +81 3 3523 3551  
Fax: +81 3 3523 7581

---

### **Web Site**

<http://www.atmel-wm.com>

### **© Atmel Germany GmbH 2001.**

Atmel Germany GmbH makes no warranty for the use of its products, other than those expressly contained in the Company's standard warranty which is detailed in Atmel Germany GmbH's Terms and Conditions. The Company assumes no responsibility for any errors which may appear in this document, reserves the right to change devices or specifications detailed herein at any time without notice, and does not make any commitment to update the information contained herein. No licenses to patents or other intellectual property of Atmel Germany GmbH are granted by the Company in connection with the sale of Atmel Germany GmbH products, expressly or by implication. Atmel Germany GmbH's products are not authorized for use as critical components in life support devices or systems.

Data sheets can also be retrieved from the Internet: <http://www.atmel-wm.com>